

Industrial Panel PCs | ATEX Series | GPC-ATEX-1-190

Suitable for explosive gas environment Zone 1, Zone 2 dangerous places. ATEX Series improves the flexibility of system configuration, and it is no longer necessary to adhere to the traditional configuration of front-end and back-end division of labor. Equipped with industrial grade host board, reliable performance and large upgrade space.

Features

- 19 inch LED screen; Resolution 1280x1024
- Power Input: AC 100-240V or DC12-24V
- 2*LAN, 4*USB, 2*COM
- ATEX:II 2 GD Ex d IIB T6 Gb/Ex t IIIC Db/IP65
- IECEx : Ex d IIB T6 Gb/Ex tb IIIC T80°C Db/IP65



Product Model

Series	ATEX
Operating System	Windows - Linux
Reference	GPC-ATEX-1-190
Toouchscreen	Thick explosion-proof glass capacitive touch screen

Mother Board Specifications

CPU	Intel Celeron J6412, Intel Core i5-i7 6 th , 8 th , 10 th
RAM	4G/8G/16G/32G
Storage	128/256/512 GB; 1/2 TB
Interface	Standard 4 * M20 explosion-proof gland, with one spare
Expansion	1*Mini PCIE Slot
Ethernet	2*LAN; Optional 2* optical port output
USB	Up to 4* USB
COM	5*RS232 + 1* RS422

Configurations

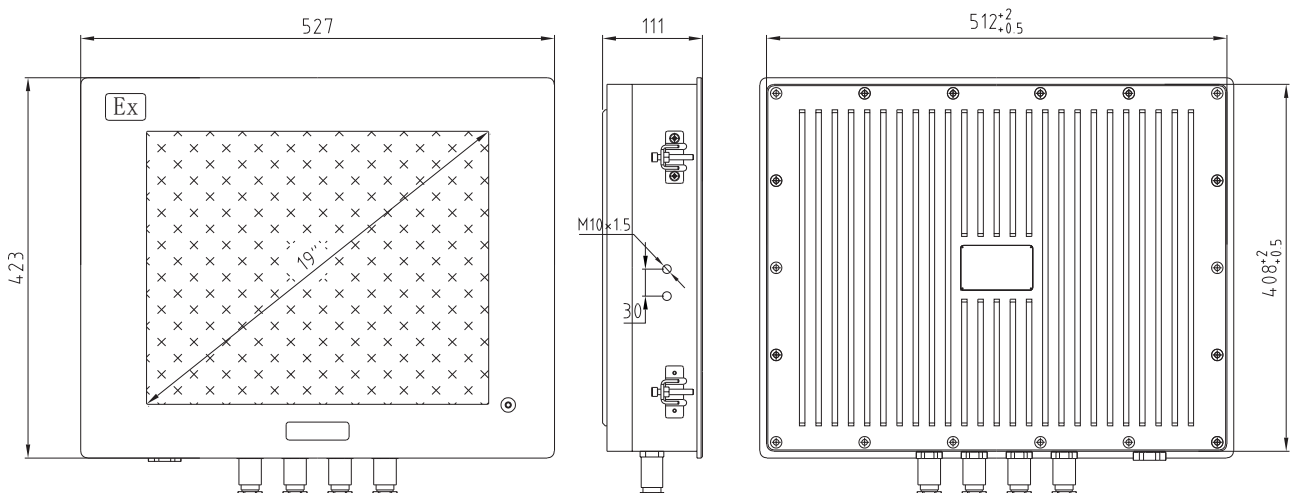
CPU	J6412, i5-6300U / 8260U / 1155G7; i7-6500U / 8265U / 1195G7
RAM	4G/8G/16G/32G
Storage	128/256/512 GB; 1/2 TB
WiFi	Optional: 7260AC / AX210
Modules	Optional: 4G+GPS
Operating system	Windows 7/10/11, Linux

Machine Specification

BIOS	AMI UEFI BIOS
Working Temperature	-20°C to 50°C; Optionale wide temperature -20°C to 70°C
Storage temperature	-50°C to 70°C
Relative humidity	Humidity: 95% Non-Condensing
Cooling	Aluminum alloy chassis, conduction heat dissipation
ATEX Certifications	ATEX:II 2 GD Ex d IIB T6 Gb/Ex t IIIC Db/IP65 IECEx: Ex d IIB T6 Gb/Ex tb IIIC T80°C Db/IP65
Power Input	AC 100-240V or DC12-24V

Screen Parameters

LCD Size	19" TFT LCD
Resolution	1280*1024
Viewing Angle	89/89/89/89 (L/R/U/D)
Colour	16.7M
Brightness	350 nits, support 500 / 800 / 1000 nits
Contrast ratio	800:1



* All technical data, specification and performance figures subject to change without notice.